






Spray Valve Quick Selection Guide

气动喷雾阀快速选型指南

性能参数	SP-N10	SP-N20	SP-N30	SP-N40	SP-N50	SP-N90
图示						
最小喷幅	180	190	4	3	2	3
最大喷幅	340	245	36	10	17	15
流量可调	√	√	√	√	√	√
喷雾形态	圆形 扇形	圆形 扇形	圆形	圆形	圆形 扇形	圆形 扇形
特点	大喷幅, 适合大面积喷涂	相较 SP-N10, 喷幅略小, 适合大面积喷涂	小喷幅, 可实现扇形喷涂	小喷幅, 喷涂精度更高	高频, 可实现相对更高粘度胶水的喷涂	响应快, 可实现间隙喷涂

压电/气动喷雾阀对比

类型	压电喷雾阀	气动喷雾阀
型号	PZ-J100-SP	PN-N50
外观尺寸	88.5*28*118mm	106*20*121mm
驱动方式	气动+压电陶瓷驱动	气动+电磁阀驱动
喷口直径	0.05/0.075/0.1/0.15/0.2/0.25mm	0.4/0.8mm
喷雾气压	0.1-0.5MPa	0.1-0.3MPa
供胶气压	0.01-0.2MPa	0.01-0.4MPa
喷涂宽度	1.5-8mm	2-17mm
频率	1000Hz	300Hz

The piezoelectric spray valve is driven by high-frequency piezoelectric ceramics and is matched with a high-precision controller. The glue volume control is more precise, and the glue output and atomization effect are better than that of the pneumatic spray valve.

The control parameters of the piezoelectric spray valve are all displayed on the operation screen. Compared with the pneumatic spray valve, which requires manual scale adjustment, the calibration is more accurate and convenient.

The piezoelectric spray valve adopts a modular design, making cleaning and maintenance easier.

It is recommended that during the selection process of spray valves, piezoelectric spray valves should be given priority to achieve higher-precision spraying effects. When the accuracy requirements are relatively low and the spraying area is large, it is recommended to use a pneumatic spray valve.

Saejong is always committed to improving product functions. For this reason, the technical specifications of the product will also be subject to change without prior notice in the above circumstances.

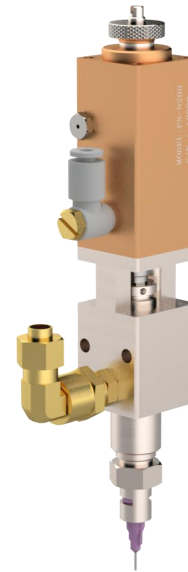


Pneumatic Needle Valve

PN-N200

Pneumatic Needle Valve

The PN-N200 is a pneumatic needle valve developed by SAEJONG IND, featuring a thimble edge sealing structure and V-shaped sealing ring that provide exceptional pressure resistance within the valve. This product is specifically designed for dispensing high viscosity liquids such as silicone, grease, and oil.



Features and Advantages

- The amount of glue can be quickly adjusted through the adjusting nut.
- The valve has a compression capacity of up to 10MPa.
- Made from special alloy steel material, it possesses wear-resistant and corrosion-resistant properties.

Suitable for fluid type

Silica gel Grease

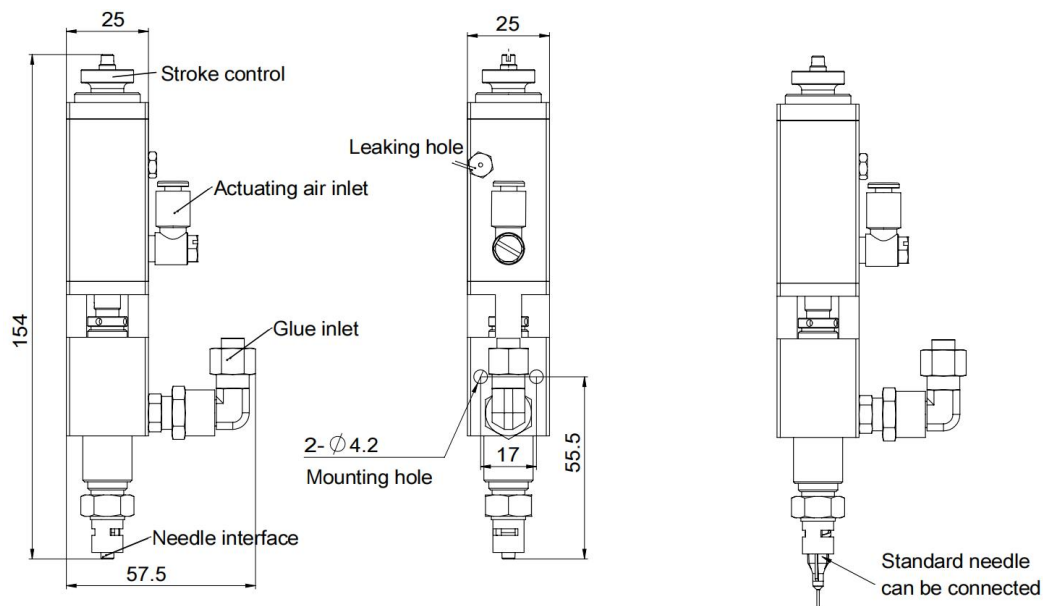
Applications

Sealing Forming

Performance Parameter

Size	57.5*154*25mm
Actuating pressure	0.4-0.5MPa
Chamber pressure	MAX.10MPa
Temperature	10~40°C

Installation Dimensions



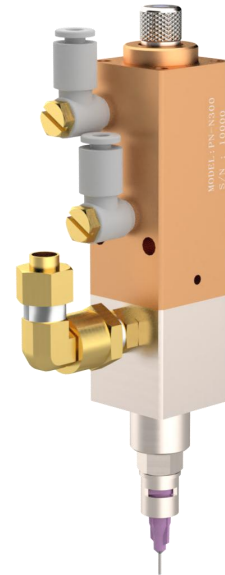
PN-N300

Pneumatic Needle Valve

The PN-N300 is a pneumatic needle valve developed by SAEJONG IND, featuring a design structure that combines lift valve and diaphragm mechanisms. This innovative design enables precise material dispensing and controlled glue suction, making it ideal for the dispensing process of low viscosity liquids such as silicone resin.

Features and Advantages

- The amount of glue can be quickly adjusted through the adjusting nut.
- The double driving gas path structure design enables the valve body to achieve an exceptionally high response speed.
- The valve body is equipped with a glue suction function to ensure thorough dissolution of the adhesive.
- Made from special alloy steel material, it possesses wear-resistant and corrosion-resistant properties.



Suitable for fluid type

Adhesive

Silicone resin

Applications

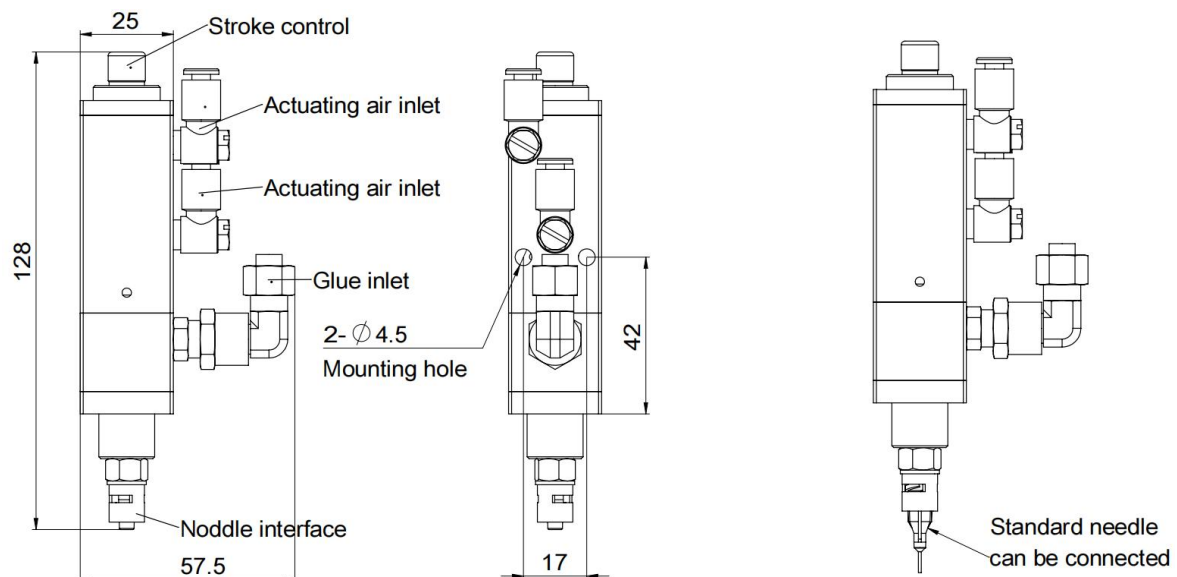
Cosmetics packing

Injection molding

Performance Parameter

Size	57.5*128*25mm
Actuating pressure	0.4-0.5MPa
Chamber pressure	MAX.0.7MPa
Temperature	10~40°C

Installation Dimensions



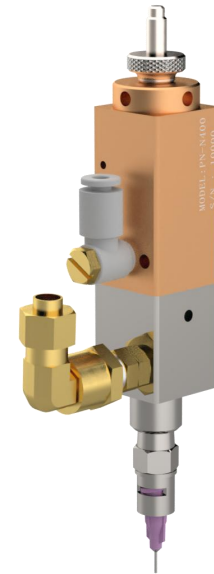


Pneumatic Needle Valve

PN-N400

Pneumatic Needle Valve

The PN-N400 is a pneumatic needle valve developed by SAEJONG IND, featuring a thimble edge sealing structure and V-shaped sealing ring that provide exceptional pressure resistance within the valve. This product is specifically designed for dispensing high viscosity liquids such as silicone, grease, and oil.



Features and Advantages

- The amount of glue can be quickly adjusted through the adjusting nut.
- The valve has a compression capacity of up to 6MPa.
- Made from special alloy steel material, it possesses wear-resistant and corrosion-resistant properties.
- The dispensing effect is consistently stable, resulting in a high yield.

Suitable for fluid type

Lubricating oil

Grease

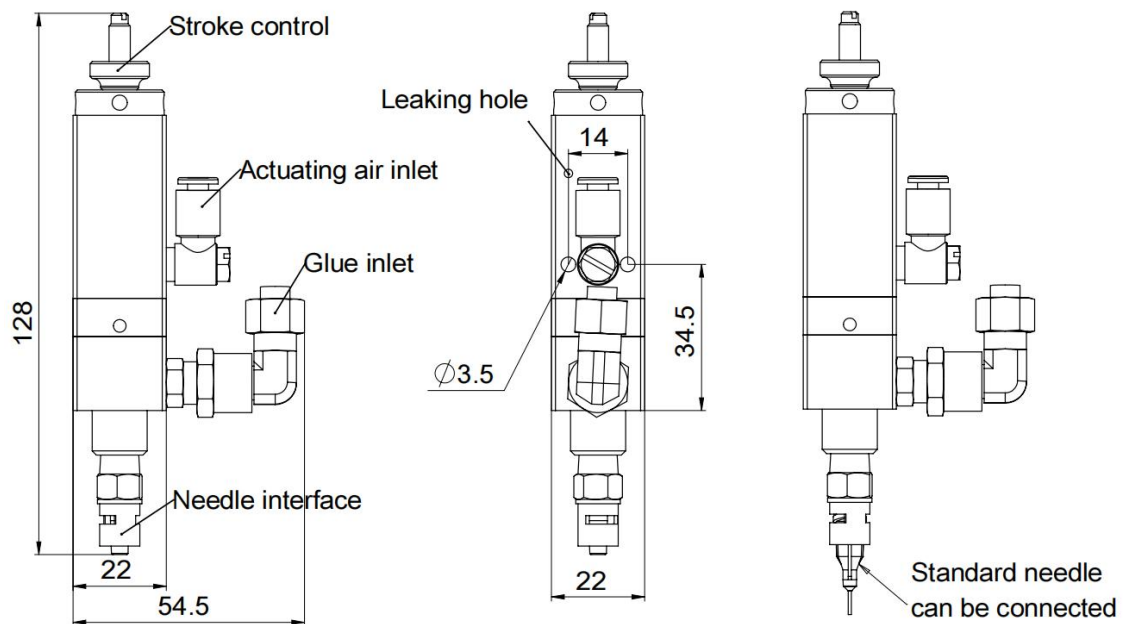
Applications

Apply lubricating oil

Performance Parameter

Size	57.5*128*22mm
Actuating pressure	0.4-0.5MPa
Chamber pressure	MAX.6MPa
Temperature	10~40°C

Installation Dimensions



PN-N405

Pneumatic Needle Valve

The PN-N405 is a pneumatic needle valve developed by SAEJONG IND, featuring a compact cavity structure and rapid response speed that make it ideal for dispensing small amounts of high-viscosity liquids.



PN-405A

PN-405B

PN-405C

PN-405A Customized type with customized cotton swab needle

PN-405B Standard needle type, suitable for standard dispensing needles

PN-405C Precision needle type, suitable for precision metal needles

Features and Advantages

- The quantity of adhesive is finely adjusted using a high-precision micrometer.
- The valve has a compression capacity of up to 6MPa.
- The utilization of a compact cavity structure enables a significantly enhanced response time.
- Made from special alloy steel material, it possesses wear-resistant and corrosion-resistant properties.
- The dispensing effect is consistently stable, resulting in a high yield.

Suitable for fluid type

UV adhesive

Grease

Tuffy adhesive

Applications

Small COG

LCD control board

Performance Parameter

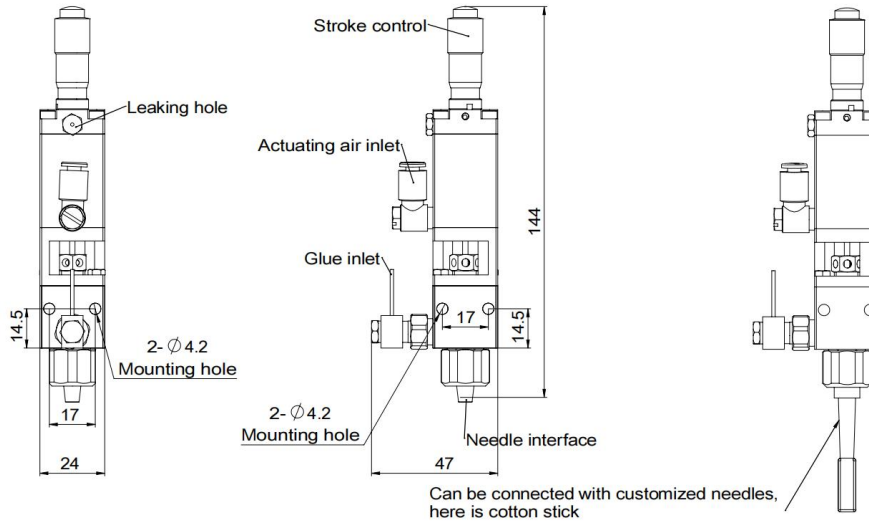
Size	62*147*24mm
Actuating pressure	0.4-0.5MPa
Chamber pressure	MAX.6MPa
Temperature	10~40°C



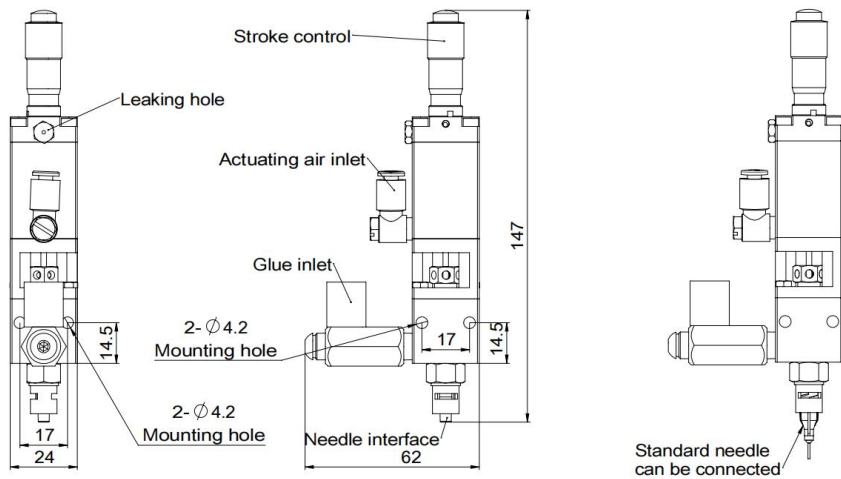
Pneumatic Needle Valve

Installation Dimensions

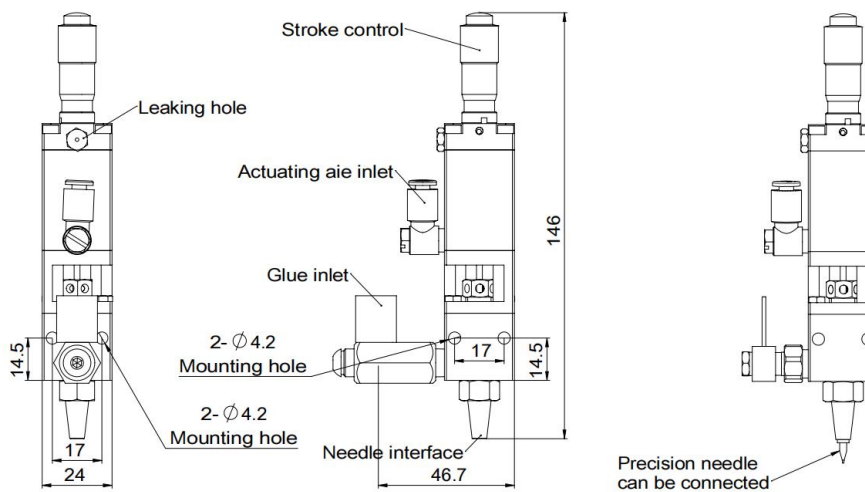
PN-405-A



PN-405B



PN-405C



PN-N460

Pneumatic Needle Valve

The PN-N405 is a pneumatic needle valve developed by SAEJONG IND, featuring a compact cavity structure and rapid response speed that make it ideal for dispensing small amounts of high-viscosity liquids.

Features and Advantages

- The quantity of adhesive is finely adjusted using a high-precision micrometer.
- The valve has a compression capacity of up to 6MPa.
- The utilization of a compact cavity structure enables a significantly enhanced response time.
- Made from special alloy steel material, it possesses wear-resistant and corrosion-resistant properties.



Suitable for fluid type

UV adhesive
Grease
Tuffy adhesive

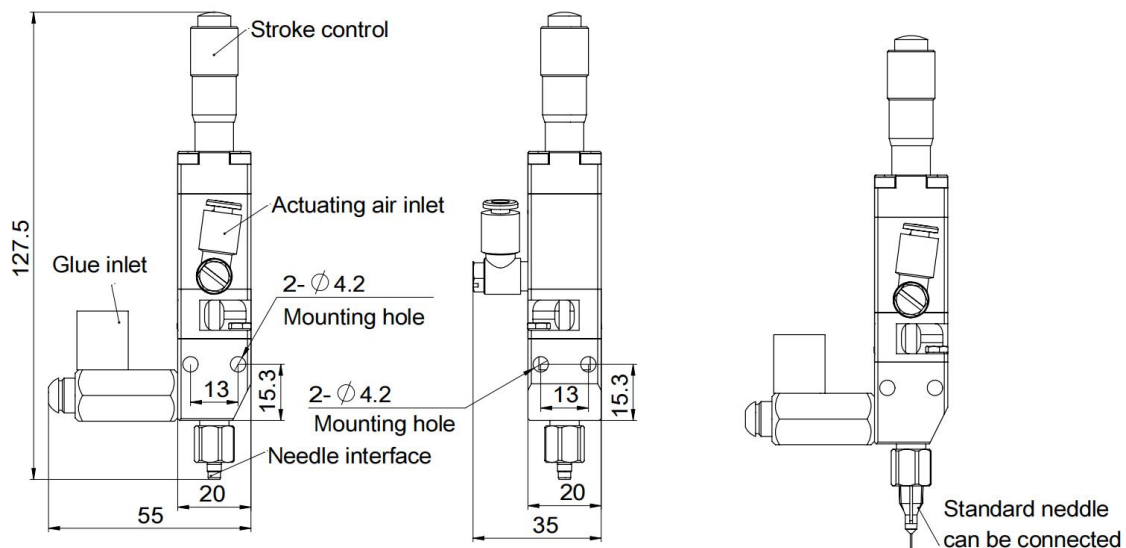
Applications

COG LCD control board

Performance Parameter

Size	55*127.5*35mm
Actuating pressure	0.4-0.5MPa
Chamber pressure	MAX.6MPa
Temperature	10~40°C

Installation Dimensions





Pneumatic Needle Valve

PN-N480

Pneumatic Needle Valve

The PN-N480 is a pneumatic needle valve developed by SAEJONG IND, designed to be driven by air pressure and equipped with a solenoid valve for precise control. This advanced design ensures faster response speed and higher accuracy in glue dispensing, making it the ideal choice for contact glue dispensing processes that require exceptional precision.

Features and Advantages

- The dispensing frequency can reach up to 300Hz, ensuring high production efficiency.
- The quantity of adhesive is finely adjusted using a high-precision micrometer.
- The valve has a compression capacity of up to 6MPa.
- The utilization of a compact cavity structure enables a significantly enhanced response time.



Suitable for fluid type

UV adhesive

Grease

Applications

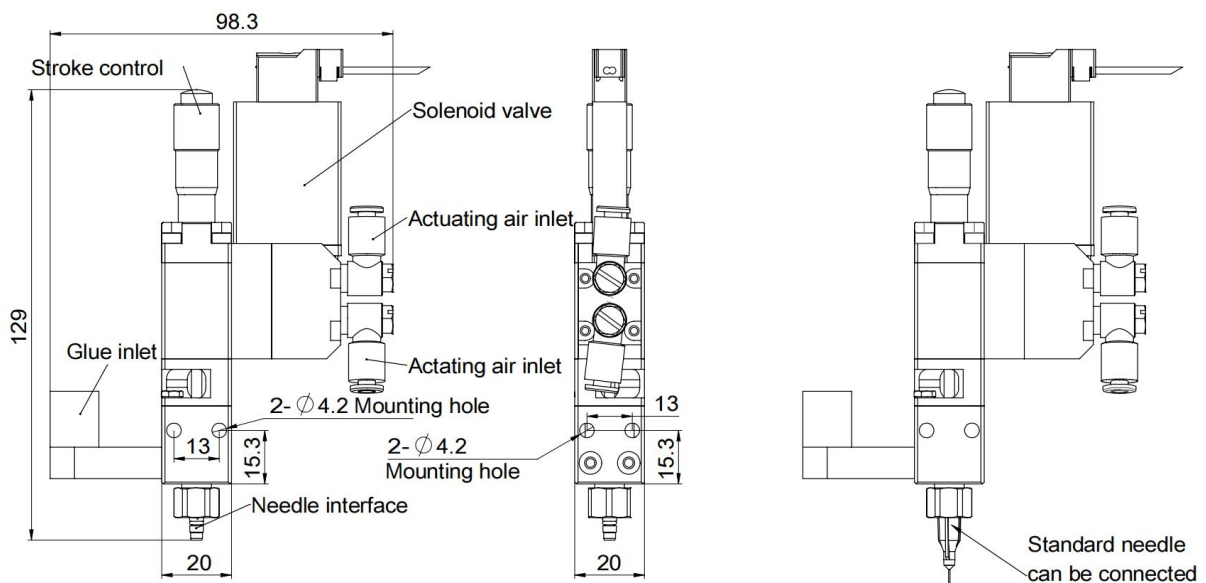
COG

LCD control board

Performance Parameter

Size	98.3*129*20mm
Actuating pressure	0.4-0.5MPa
Chamber pressure	MAX.6MPa
Temperature	10~40°C

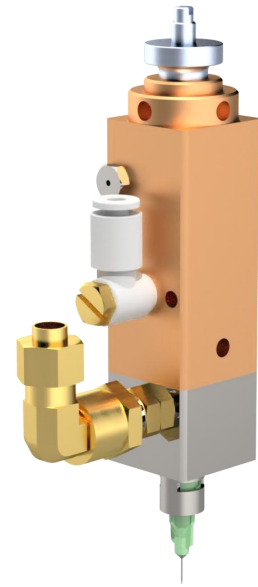
Installation Dimensions



PN-N500

Pneumatic Needle Valve

The PN-N500 is a pneumatic needle valve developed by SAEJONG IND, featuring a sealing position designed at the needle. This innovative design facilitates precise material distribution with minimal glue usage. Additionally, the diaphragm structure within the valve cavity enables quantitative suction of adhesive, making it suitable for dispensing low viscosity liquids



Features and Advantages

- The amount of glue can be quickly adjusted through the adjusting nut.
- Sealed by needle, can achieve small amount of glue dispensing process
- The valve is equipped with a glue suction function .
- Made from special alloy steel material, it possesses wear-resistant and corrosion-resistant properties.

Suitable for fluid type

Adhesive

Silicone resin

Applications

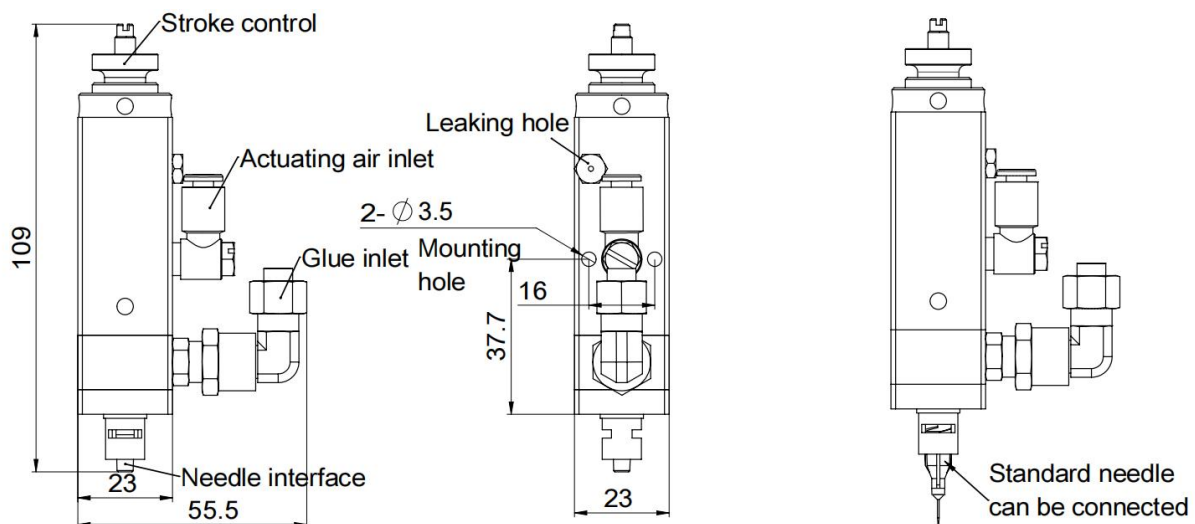
Cosmetics packing

Injection molding

Performance Parameter

Size	55.5*109*23mm
Actuating pressure	0.4-0.5MPa
Chamber pressure	MAX.0.7MPa
Temperature	10~40°C

Installation Dimensions



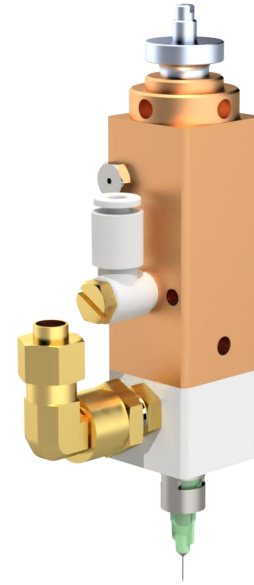


Pneumatic Needle Valve

PN-N500T

Pneumatic Needle Spray Valve

The PN-N500T is a pneumatic needle valve developed by SAEJONG IND, featuring a Teflon material valve cavity that exhibits exceptional resistance to chemical corrosion. This makes it highly suitable for dispensing applications involving anaerobic adhesive and instant adhesive.



Features and Advantages

- The amount of glue can be quickly adjusted through the adjusting nut.
- Sealed by needle, can achieve small amount of glue dispensing process
- The valve is equipped with a glue suction function .
- The valve chamber is constructed from Teflon, which boasts exceptional chemical resistance.

Suitable for fluid type

Anaerobic adhesive

Instant adhesive

Applications

Nylon screw bonding

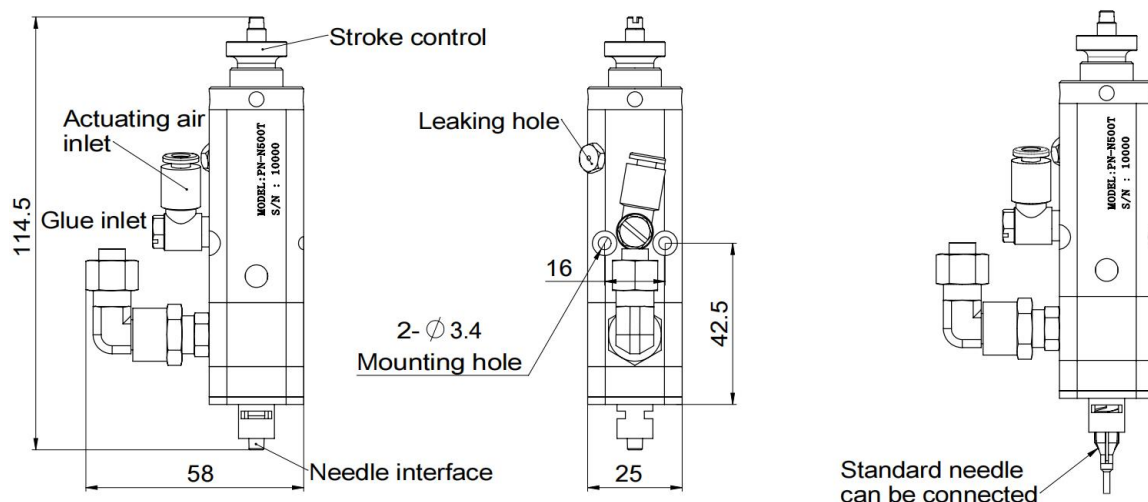
Metal bonding

Performance Parameter

Size	58*114.5*25mm
Valve chamber material	Teflon ¹
Actuating pressure	0.4-0.5MPa
Chamber pressure	MAX.0.7MPa
Temperature	10~40°C

1. The presence of metal materials in cyanoacrylate (quick-drying glue) leads to water absorption, resulting in accelerated curing and potential valve body blockage. However, the utilization of Teflon with its exceptional chemical inertness can effectively mitigate these issues.

Installation Dimensions



PN-N600

Pneumatic Needle Valve

The PN-N600 is a pneumatic needle valve developed by SAEJONG IND, featuring an enlarged cavity structure that makes it ideal for dispensing processes requiring large amounts of glue.

Features and Advantages

- The amount of glue can be quickly adjusted through the adjusting nut.
- The double driving gas path structure design enables the valve body to achieve an exceptionally high response speed.
- Large cavity structure, suitable for large flow dispensing process
- Made from special alloy steel material, it possesses wear-resistant and corrosion-resistant properties.



Suitable for fluid type

Silicone

Engine oil

Applications

Automotive parts

Oven

Performance Parameter

Model	PN-N600-S	PN-N600-L
Size	70*228.5*51mm	
Actuating pressure	0.4-0.5MPa	0.4-0.5MPa
Chamber pressure	MAX.10MPa	MAX.15MPa
Temperature	5-60°C	5-60°C

Installation Dimensions

